

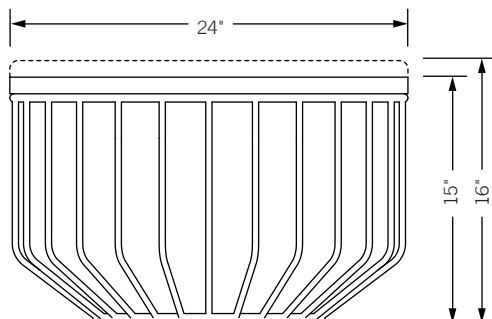
## wired complement

Blending sloping angles and taut lengths of bent metal are a modern interpretation of the wiry idea initially conceived by Warren Platner. The series is made up of a suite of tables, side tables and benches and fitted with luxurious solid wood, glass, or upholstered tops. By choosing the upholstered top the complement table can serve as an ottoman.



**Specifications** Solid steel bar with glass, upholstered, or solid wooden tops, available in walnut, white oak, or ebonized oak. Steel available in gloss or flat white and black powder coat, polished chrome, burnt copper, or smoked brass finishes. Powder coat finishes also available in custom colors. Upholstery may be sourced COM, COL, or suggested fabrics and leather. (COM requirements = 1.5 yards).

**Total dimensions** Dia 24" H 15" (16" upholstered)



front